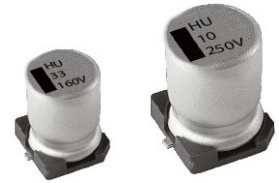
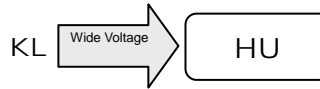
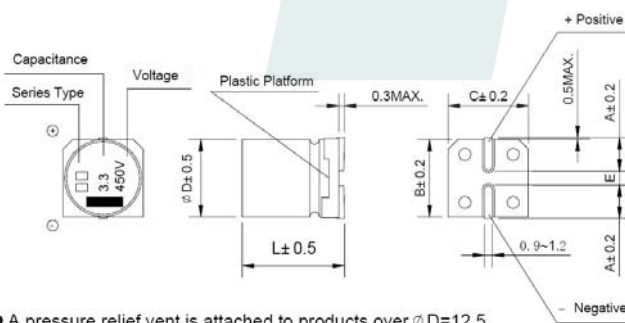


MID-TO-HIGH VOLTAGE

- Operating with wide temperature range -40 ~ +105°C
- Load life of 5000 hours
- Comply with the RoHS directive
RoHS


SPECIFICATIONS

Items	Characteristics			
Operation Temperature Range	-40 ~ +105°C			
Voltage Range	160 ~ 450V			
Capacitance Range	3.3 ~ 47μF			
Capacitance Tolerance	±20% at 120Hz, 20°C			
Leakage Current	Leakage current ≦ 0.04CV or 100μA, whichever is greater (after 2 minutes application of rated voltage)			
Dissipation Factor (tan δ)	Measurement frequency : 120Hz, Temperature : 20°C			
	Rated Voltage (V)	160 ~ 250	400, 500	
Stability at Low Temperature	Measurement frequency : 120Hz			
	Rated Voltage (V)	160 ~ 250	400, 500	
	Impedance Ratio	Z(-25°C) / Z(20°C)	3	6
	ZT/Z20 (max.)	Z(-40°C) / Z(20°C)	6	10
Load Life	After 5000 hours application of the rated voltage at 105°C, they meet the characteristics listed below.			
	Capacitance Change	Within ±20% of initial value		
	Dissipation Factor	200% or less of initial specified value		
	Leakage Current	initial specified value or less		
Shelf Life	After leaving capacitors under no load at 105°C for 1000 hours, they meet the specified value for load life characteristics listed above.			
Resistance to Soldering Heat	After reflow soldering and restored at room temperature, they meet the characteristics listed below.			
	Capacitance Change	Within ±10% of initial value		
	Dissipation Factor	initial specified value or less		
	Leakage Current	initial specified value or less		
Marking	Black print on the case top.			

DRAWING (Unit: mm)


● A pressure relief vent is attached to products over ∅D=12.5

DIMENSIONS (Unit: mm)

∅D x L	12.5 x 13.5	12.5 x 16	16 x 16.5
A	4.7	4.7	5.5
B	13.0	13.0	17.0
C	13.0	13.0	17.0
E ± 0.2	4.6	4.6	6.7
L	13.5	16.0	16.5

NOTE: All designs and specifications are for reference only and are subject to change without prior notice. If any doubt about safety for your application, please contact us immediately for technical assistance before purchase.



DIMENSIONS & MAXIMUM PERMISSIBLE RIPPLE CURRENT

μF	WV Code	160		200		250		400		450	
		2C		2D		2E		2G		2W	
3.3	3R3									12.5 × 13.5	40
4.7	4R7					12.5 × 13.5	65	12.5 × 16	50	12.5 × 16	50
10	100			12.5 × 13.5	80	12.5 × 16	105	16 × 16.5	85	16 × 16.5	85
22	220	12.5 × 13.5	85	12.5 × 16	110	16 × 16.5	180				
33	330	12.5 × 13.5	95	16 × 16.5	220					Case size	Ripple current
47	470	16 × 16.5	260								

•Case size $\varnothing D \times L$ (mm), ripple current (mA rms) at 105°C 120Hz

FREQUENCY COEFFICIENT OF ALLOWABLE RIPPLE CURRENT

Frequency	50Hz	120Hz	300Hz	1KHz	10KHz~
Coefficient	0.80	1.00	1.25	1.40	1.60

- Taping specifications are given in page 11.
- Please refer to page 12 for the minimum package quantity.



NOTE: All designs and specifications are for reference only and are subject to change without prior notice. If any doubt about safety for your application, please contact us immediately for technical assistance before purchase.