

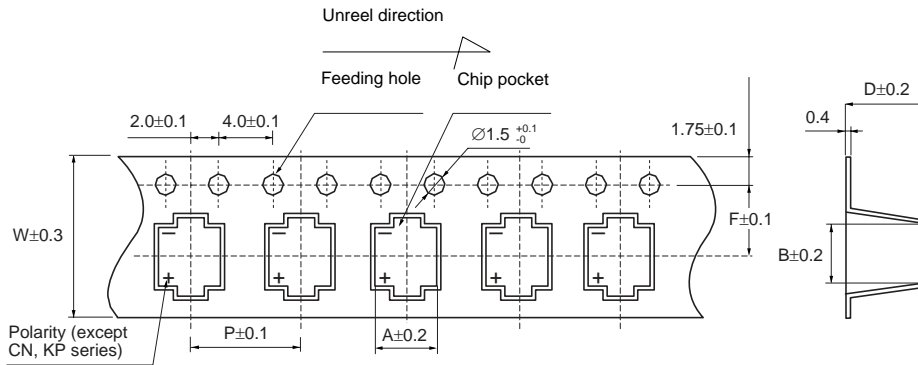


TAPING SPECIFICATIONS

□ For Chip Type Aluminum Electrolytic Capacitors

■ Carrier Tape Dimensions

● $\varnothing 4 \sim \varnothing 10$ (mm)

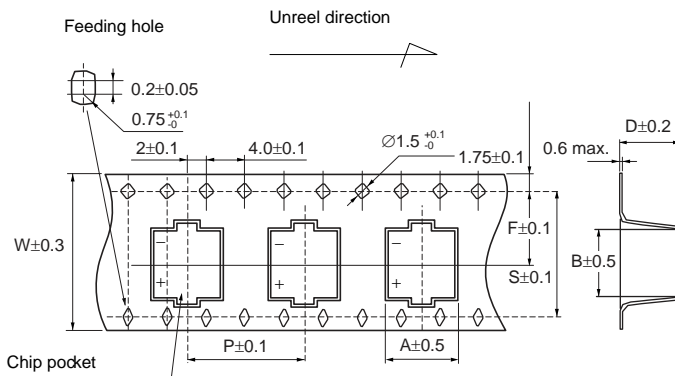


Dimension

(Unit: mm)

$\varnothing D \times L$	4×5.4/5.8	5×5.4/5.8	6.3×5.4/5.8	6.3×7.7	6.3×10.5/11.5	8×10.5	8×12.5	10×10.5/13.5
W	12.0	12.0	16.0	16.0	16.0	24.0	24.0	24.0
P	8.0	12.0	12.0	12.0	12.0	16.0	16.0	16.0
F	5.5	5.5	7.5	7.5	7.5	11.5	11.5	11.5
A	5.0	6.0	7.0	7.0	7.0	8.7	8.7	10.7
B	5.0	6.0	7.0	7.0	7.0	8.7	8.7	10.7
D	5.8/6.3	5.8/6.3	5.8/6.3	8.4	11.4	11.0	12.3	11.0/14.0

● $\varnothing 12.5 \sim \varnothing 16$ (mm)



Dimension

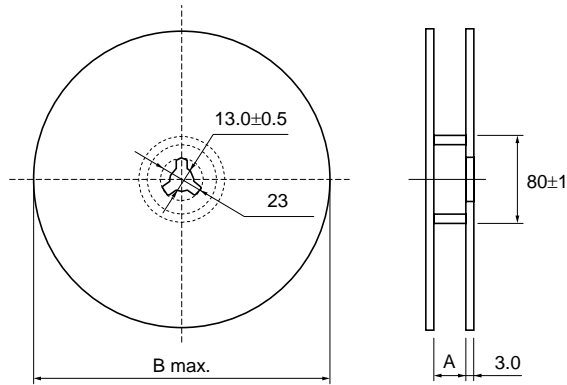
(Unit: mm)

$\varnothing D \times L$	12.5×13.5	12.5×16	16×16.5
W	32.0	32.0	44.0
P	24.0	24.0	28.0
F	14.2	14.2	20.2
A	14.0	14.0	17.5
B	14.0	14.0	17.5
D	14.0	16.5	16.8
S	28.4	28.4	40.4

Note: All design and specifications are for reference only and is subject to change without prior notice. If any doubt about safety for your application, please contact us immediately for technical assistance before purchase.



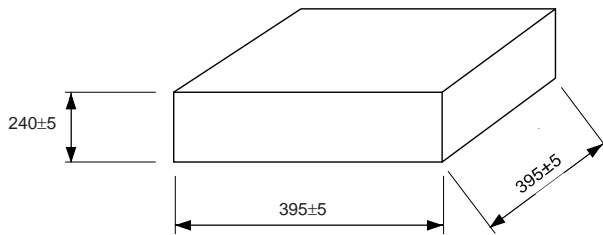
■ Reel Dimensions



(Unit: mm)

∅D × L	4×5.4/5.8	5×5.4/5.8	6.3×5.4/5.8/7.7/10.5/11.5	8×10.5/12.5	10×10.5	10×12.5/13.5	12.5×13.5/16	16×16.5
A±1	14	14	17	25.5	25.5	25.5	34.5	44
B (max.)	382	382	382	382	382	382	382	382

■ Packaging Box



■ Packaging Quantity

Size ∅D × L (mm)	Quantity/Reel (pcs)	Reels/Box	Quantity/Box (pcs)
4 × 5.4/5.8	2,000	12	24,000
5 × 5.4/5.8	1,000	12	12,000
6.3 × 5.4/5.8/7.7	1,000	10	10,000
6.3 × 10.5	750	10	7,500
6.3 × 11.5	500	10	5,000
8 × 6.2	1,000	10	10,000
8 × 10.5/12.5	500	7	3,500
10 × 10.5/13.5	500	7	3,500
12.5 × 13.5	250	6	1,500
12.5 × 16	200	6	1,200
16 × 16.5	125	4	500

Note: All design and specifications are for reference only and is subject to change without prior notice. If any doubt about safety for your application, please contact us immediately for technical assistance before purchase.